



AVM359AH

ETS



HD
720P



Vari-focal
Lens



MicroSD
Card
Recording



External
I/O



PoE



Solid Light



Mobile
Surveillance

1.3MP IR Vari-focal IP Camera

FEATURES

- Equipped with a **vari-focal lens** of f2.8 ~ 12mm, suitable for various monitoring environments
- **Solid Light** series featuring better overexposure prevention (Advanced Smart Light Control), automatic adjustment of image brightness, and longer lifetime of LEDs



- MicroSDcard support (up to 64GB) for **video storage**
- **External alarm I/O device** connection



- **POE (Power-over-Ethernet)** support to eliminate the use of power cables and reduce installation costs
- **ONVIF (ONVIFS)** standard supported to simplify system integration
- **Built-in heater** which can operate at temperatures as low as -40°C
- **IR LED built-in** for **night surveillance** with max effective range up to 35 meters
- **Remote Surveillance**
 - **Fully compatible** with **iOS** and **Android** devices, and **Internet Explorer** on Windows operating system
 - **Push Video** available on your iOS and Android devices when used with Push Video NVR series.



● SPECIFICATIONS

■ Network

LAN Port	YES
LAN Speed	10/100 Based-T Ethernet
Supported Protocols	DDNS, PPPoE, DHCP, NTP, SNTP, TCP/IP, ICMP, SMTP, FTP, HTTP, RTP, RTSP, RTCP, IPv4, Bonjour, UPnP, DNS, UDP, IGMP, QoS
Number of Online Users	10
Security	(1) Multiple user access levels with password (2) IP address filtering (3) Digest authentication
Remote Access	(1) Internet Explorer on Windows operating system (2) 16CH Video Viewer on Windows & MAC operating system (3) EagleEyes on iPhone, iPad & Android mobile devices

■ Video

Video Compression	H.264 / MPEG4 / MJPEG
Resolution	SXGA to QQVGA
Frame Rate	30fps
Multiple Video Streaming	4 (H.264, MJPEG, MPEG4)

■ General

Image Sensor	1/4" SONY CMOS image sensor
Min Illumination	1 Lux / F1.4, 0 Lux (LED ON)
S/N Ratio	More than 48dB (AGC off)

■ General

Electronic Shutter	1/2 to 1/10,000 sec
Lens	f2.8 ~ 12mm / F1.4 ~ F2.8
Viewing Angle	Wide: 66° (Horizontal) / 52° (Vertical) / 90° (Diagonal) Tele: 16° (Horizontal) / 10° (Vertical) / 22° (Diagonal)
IR LED	2 Units
IR Effective Range **	Default : up to 25 meters IR Enhanced Mode : up to 35 meters
IR Shift	YES
IRIS Mode	AES
White Balance	ATW
AGC	Auto
MicroSD Card Slot	YES (up to 64GB)
Heater	YES
IP Rating	IP66
Start-up Temperature	0°C ~ 40°C
Operating Temperature	-40°C ~ 40°C
Power Source (±10%)	12V / 1.5A
Current Consumption (±10%)	1.32A
Power Consumption (±10%)	18.6W (PoE) ; 18.6W (PoN) ; 15.8W (DC Adapter)



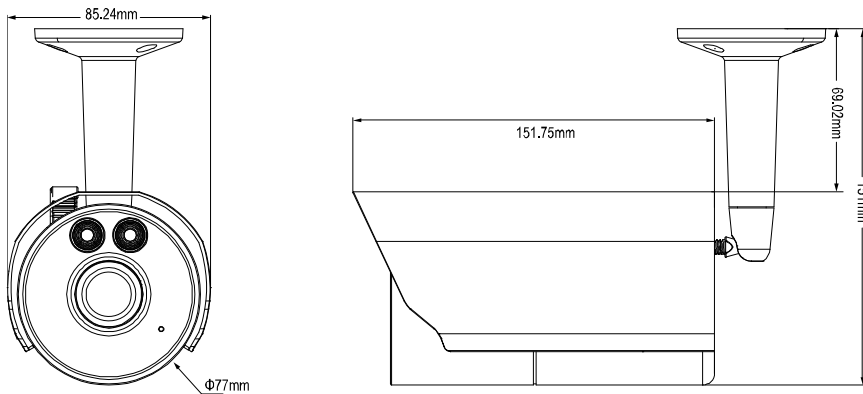
● SPECIFICATIONS (CONTINUED)

Others	
Mobile Surveillance	iPad / iPhone / Android mobile device
ONVIF Compatible	YES (Profile S)
POE (Power-over-Ethernet)	YES (IEEE 802.3at)
Event Notification	FTP / Email / SMS
Reset Default	YES
External Alarm Device Connection	YES
Digital Pan / Tilt / Zoom	YES
Motion Detection	YES
RTC (real-time clock)	YES
Minimum Web Browsing Requirements	<ul style="list-style-type: none"> • Intel core i3 or higher, or equivalent AMD • 2G RAM • AGP graphics card, Direct Draw, 32MB RAM • Windows 7, Vista & XP, DirectX 9.0 or later • Internet Explorer 7.x or later

*The specifications are subject to change without notice

** Using IR enhanced mode and slow shutter speed, the distance can be extended even longer.

● DIMENSIONS



*Dimensional tolerance: $\pm 5\text{mm}$