

AVM458



HD 1080P



MicroSD
Card
Recording



External
I/O



PoE



Solid Light



Mobile
Surveillance



ETS

2MP IR Bullet IP Camera

FEATURES

- MicroSD card support (up to 64GB) for [video storage](#)
- [External alarm I/O device connection](#)



- [POE \(Power-over-Ethernet\)](#) support to eliminate the use of power cables and reduce installation costs
- [ONVIF \(ONVIFS\)](#) standard supported to simplify system integration
- [Solid Light](#) series featuring better overexposure prevention (Advanced Smart Light Control), automatic adjustment of image brightness, and longer lifetime of LEDs



- IR effective range [up to 35 meters](#) for night surveillance
- Excellent outdoor ID design with [cable management](#)
- [Remote Surveillance](#)
 - [Fully compatible](#) with [iOS](#) and [Android](#) devices, and [Internet Explorer](#) on Windows operating system
 - [Push Video](#) available on your iOS and Android devices when used with Push Video NVR series

SPECIFICATIONS

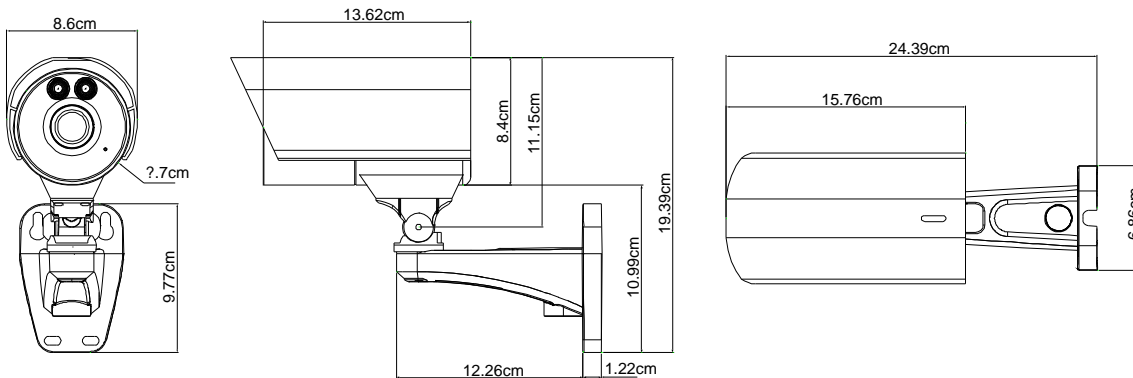
Network	
LAN Port	YES
LAN Speed	10/100 Based-T Ethernet
Supported Protocols	DDNS, PPPoE, DHCP, NTP, SNTP, TCP/IP, ICMP, SMTP, FTP, HTTP, RTP, RTSP, RTCP, IPv4, Bonjour, UPnP, DNS, UDP, IGMP, QoS
ONVIF Compatible	YES (Profile S)
Number of Online Users	10
Security	(1) Multiple user access levels with password (2) IP address filtering (3) Digest authentication
Remote Access	(1) Internet Explorer on Windows operating system (2) 16CH Video Viewer on Windows & MAC operating system (3) EagleEyes on iPhone, iPad & Android mobile devices
Video	
Network Compression	H.264 / MPEG4 / MJPEG
Video Resolution	1920 x 1080 / 1280 x 720 / 640 x 480 / 320 x 240
Frame Rate	30fps
Multiple Video Streaming	4 (H.264 / MPEG4 / MJPEG)
General	
Image Sensor	1/2.9" SONY CMOS image sensor
Min Illumination	0.1 Lux / F1.5, 0 Lux (LED ON)
Shutter Speed	1/2 to 1/10,000 sec
S/N Ratio	More than 48dB (AGC off)
Lens	f3.8mm / F1.5
Viewing Angle	73.2° (Horizontal) / 42.8° (Vertical) / 83.2° (Diagonal)
IR LED	2 units
IR Effective Distance**	Default : up to 25 meters IR Enhanced Mode : up to 35 meters
IR Shift	YES
White Balance	ATW
AGC	Auto
IRIS Mode	AES
POE	YES (IEEE 802.3af)
External Alarm I/O	YES (1 input / 1 output)
MicroSD Card Slot	YES (up to 64GB)
IP Rating	IP66
Operating Temperature	-20°C ~ 50°C
Power Source (±10%)	DC12V / 1A
Current Consumption (±10%)	630mA (LED ON)
Power Consumption (±10%)	10W (PoE); 10W (PoN) ; 8.5W (DC Adapter)

● SPECIFICATIONS (CONTINUED)

■ Others	
Mobile Surveillance	iOS & Android mobile devices
Event Notification	FTP / Email / SMS
Digital Pan / Tilt / Zoom	YES
Motion Detection	YES
RTC (real-time clock)	YES
Minimum Web Browsing Requirements	<ul style="list-style-type: none"> • Intel core i3 or higher, or equivalent AMD • 2GB RAM • AGP graphics card, Direct Draw, 32MB RAM • Windows 7, Vista & XP, DirectX 9.0 or later • Internet Explorer 7.x or later

*The specifications are subject to change without notice.
 **By using IR enhanced mode and slow shutter speed, the distance can be extended even longer.

● DIMENSIONS



Dimensional tolerance: ± 5mm