



AVM459A

2MP Vari-focal IP Camera

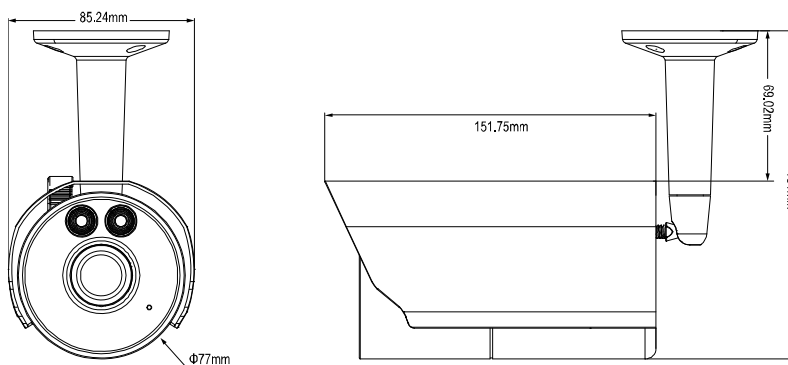


ETS

FEATURES

- Equipped with a vari-focal lens of f2.8 ~ 12mm, suitable for various monitoring environments
- Solid Light series featuring better overexposure prevention (Advanced Smart Light Control), automatic adjustment of image brightness, and longer lifetime of LEDs
- Micro SD card support (up to 64GB) for video storage
- External alarm I/O device connection
- POE (Power-over-Ethernet) support to eliminate the use of power cables and reduce installation costs
- ONVIF standard supported to simplify system integration
- IR LED built-in for night surveillance with max effective range up to 35 meters
- Remote Surveillance
 - Fully compatible with iOS and Android devices, and Internet Explorer on Windows operating system
 - Push Video available on your iOS and Android devices when used with Push Video NVR series.

DIMENSIONS (mm)



*Dimensional tolerance: ± 5 mm



SPECIFICATIONS

■ Network	
LAN Port	YES
LAN Speed	10/100 Based-T Ethernet
Supported Protocols	DDNS, PPPoE, DHCP, NTP, SNTP, TCP/IP, ICMP, SMTP, FTP, HTTP, RTP, RTSP, RTCP, IPv4, Bonjour, UPnP, DNS, UDP, IGMP, QoS
Number of Online Users	10
Security	(1) Multiple user access levels with password (2) IP address filtering (3) Digest authentication
Remote Access	(1) Internet Explorer on Windows operating system (2) 16CH Video Viewer on Windows & MAC operating system (3) EagleEyes on iPhone, iPad & Android mobile devices
■ Video	
Video Compression	H.264 / MPEG4 / MJPEG
Resolution	1080P, SXGA, 720P, VGA, QVGA
Frame Rate	30fps
Multiple Video Streaming	3 (H.264, MJPEG, MPEG4)
■ General	
Image Sensor	1/2.9" SONY CMOS image sensor
Min Illumination	1 Lux / F1.4, 0 Lux (LED ON)
S/N Ratio	More than 48dB (AGC off)
Electronic Shutter	1/2 to 1/10,000 sec
Lens	f2.8 ~ 12mm / F1.4 ~ F2.8
Viewing Angle	Wide: 109° (Horizontal) / 76° (Vertical) / 116° (Diagonal) Tele: 24° (Horizontal) / 13.5° (Vertical) / 27° (Diagonal)
IR LED	2 Units
IR Effective Range **	Default : up to 25 meters ; IR Enhanced Mode : up to 35 meters
IR Shift	YES
IRIS Mode	AES
White Balance	ATW
AGC	Auto
Micro SD Card Slot	YES (up to 64GB)
IP Rating	IP66
Operating Temperature	-20°C ~ 40°C
Power Source (±10%)	12V / 1.5A
Current Consumption (±10%)	9.5W
Power Consumption (±10%)	11.8W (PoE) ; 11.8W (PoN) ; 9.5W (DC Adapter)
■ Others	
Mobile Surveillance	iPad / iPhone / Android mobile device
ONVIF Compatible	YES (Profile S)
POE (Power-over-Ethernet)	YES (IEEE 802.3af)
Event Notification	FTP / Email / SMS
External Alarm Device Connection	YES
Digital Pan / Tilt / Zoom	YES
Motion Detection	YES
RTC (real-time clock)	YES
Minimum Web Browsing Requirements	<ul style="list-style-type: none"> • Intel core i3 or higher, or equivalent AMD • AGP graphics card, Direct Draw, 32MB RAM • Windows 7, Vista & XP, DirectX 9.0 or later

*The specifications are subject to change without notice

** Using IR enhanced mode and slow shutter speed, the distance can be extended even longer.