

# AVP571



HD 1080P



PoC



WDR



PTZ



Vari-focal  
Lens



10X Optical  
Zoom



External I/O



Mobile  
Surveillance



ETS

APOLLO PRO

## 2MP 10X PTZ IP Camera

### FEATURES

- Worked with **PoC (Power-over-Coaxial) converter, AVX912R6**, to set up the whole HD IP system with coaxial cables, suitable for replacing your existing CCTV system to HD IP system effectively
- Zoom lens of **f6.0 ~ f60mm** with **10x optical zoom**, 16x digital zoom and auto focus, suitable for various monitoring environments
- **External alarm I/O device** connection



- **ONVIF (ONVIFS)** standard supported to simplify system integration
- **WDR** to increase image recognizability in overexposure and dark areas



- **Remote Surveillance**
  - **Fully compatible** with **iOS** and **Android** devices, and **Internet Explorer** on Windows operating system
  - **Push Video** available on your iOS and Android devices when used with Push Video NVR series
- **Hot Point** support to quickly move the camera to the specified point remotely
- Up to **16 preset points & four sequence groups** programmable for multiple points monitoring, and **Auto Scan**



## ○ SPECIFICATIONS

■ Network	
Data Transmission Speed	10/100/1000 Based-T
Supported Protocols	DDNS, PPPoE, DHCP, NTP, SNTP, TCP/IP, ICMP, SMTP, FTP, HTTP, RTP, RTSP, RTCP, IPv4, Bonjour, UPnP, DNS, UDP, IGMP, QoS, SNMP
ONVIF Compatible	YES (Profile S)
Number of Online Users	10
Security	(1) Multiple user access levels with password (2) IP address filtering (3) Digest authentication
Remote Access	(1) Internet Explorer on Windows operating system (2) 16CH Video Viewer on Windows & MAC operating system (3) EagleEyes on iPhone, iPad & Android mobile devices
■ Video	
Network Compression	H.264 (Main Profile) / MJPEG
Video Resolution	1920 x 1080 / 1280 x 720 / 720 x 480 / 352 x 240
Frame Rate	30fps
Multiple Video Streaming	4 (H.264, MJPEG)
■ General	
Image Sensor	1/2.9" SONY CMOS image sensor
Min Illumination	0.1 Lux / F2.0
Shutter Speed	1 / 60 (1/50) to 1 / 100,000 sec.
S/N Ratio	More than 48dB (AGC off)
Lens	f6.0 ~ 60.0mm / F2.0 (Wide) ~ F2.8 (Tele)
Viewing Angle	1X: 47.3° / 10X: 5.3° (Horizontal) / 1X: 27.5° / 10X: 3.0° (Vertical) / 1X: 53.5° / 10X: 6.1° (Diagonal)
White Balance	Auto / Indoor 1 / Indoor 2 / Sun / Cloudy * Indoor1 = 9000K; Indoor2 = 3000K; Sun = 5500K; Cloudy = 7000K
AGC	YES
IRIS Mode	YES
Sharpness	YES
WDR	YES
POC	YES
External Alarm I/O	YES (1 input / 1 output)
IP Rating (weather-proof)	IP67
Operating Temperature	-20°C ~ 40°C
Power Source (±10%)	DC12V, 1A
Power Consumption (±10%)	9W
■ PTZ Mechanism	
Pan Range	360°
Max. Pan Speed	120°/s
Tilt Range	90°
Max. Tilt Speed	90°/s
Zoom Ratio	10X Optical Zoom
Max. Zoom Speed	Approx. 3s (Tele ~ Wide)
Preset Points	Up to 16 preset points
Sequence Group	1. Up to four groups can be set 2. One group can include up to 16 preset points

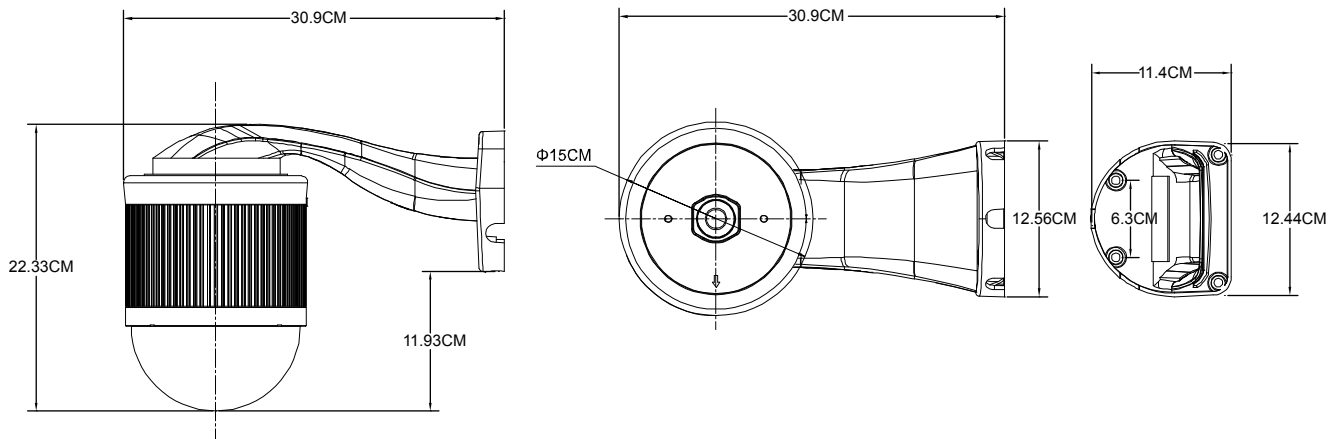


## ○ SPECIFICATIONS (Continued)

■ Others	
Mobile Surveillance	iOS & Android mobile devices
Event Notification	FTP / Email / SMS
Digital Pan / Tilt / Zoom	YES
Motion Detection	YES
RTC (real-time clock)	YES
Minimum Web Browsing Requirements	<ul style="list-style-type: none"> <li>• Intel core i3 or higher, or equivalent AMD</li> <li>• 2GB RAM</li> <li>• AGP graphics card, Direct Draw, 32MB RAM</li> <li>• Windows 7, Vista &amp; XP, DirectX 9.0 or later</li> <li>• Internet Explorer 7.x or later</li> </ul>
Optional Peripheral	PoC Converter (AVX912R6),

\*The specifications are subject to change without notice.

## ○ DIMENSIONS



Dimensional tolerance:  $\pm 5\text{mm}$