



AVM511

2 MP Vandal-Proof IP Camera



FEATURES

- **POE (Power-over-Ethernet)** support to eliminate the use of power cables and reduce installation costs
- **3-axis** mechanism for flexible ceiling and wall-mount installation
- **External alarm I/O device** connection
- **ONVIF** standard supported to simplify system integration
- **IK08** rated, vandal-proof lens cover
- **Remote Surveillance**
 - **Fully compatible** with **iOS** and **Android** devices, and **Internet Explorer** on Windows operating system
 - **Push Video** available on your iOS and Android devices when used with Push Video NVR series.

SPECIFICATIONS

■ Network	
Network Compression	H.264 / MJPEG
Multiple Video Streaming (Encode Modes, IPS, Resolution)	4 (H.264, MJPEG)
LAN Port	YES
LAN Speed	10/100 Based-T Ethernet
Supported Protocols	DDNS, PPPoE, DHCP, NTP, SNTP, TCP/IP, ICMP, SMTP, FTP, HTTP, RTP, RTSP, RTCP, IPv4, Bonjour, UPnP, DNS, UDP, IGMP, QoS
ONVIF Compatible	YES (2.0)
Frame Rate	30fps
Number of Online Users	10
Security	(1)Multiple user access levels with password (2)IP address filtering (3)Digest authentication
Remote Access	Web browsers or CMS software
■ Camera	
Image Sensor	1/2.9" SONY CMOS image sensor
Video Resolution	1080P to CIF
Min Illumination	1 Lux / F1.5
Shutter Speed	1/10,000 ~ 1/7.5 (Slow shutter)
S/N Ratio	More than 48dB (AGC off)
Lens	f3.8mm / F1.5
Viewing Angle	83.2° (Diagonal) / 73.2° (Horizontal) / 42.8° (Vertical)
White Balance	ATW

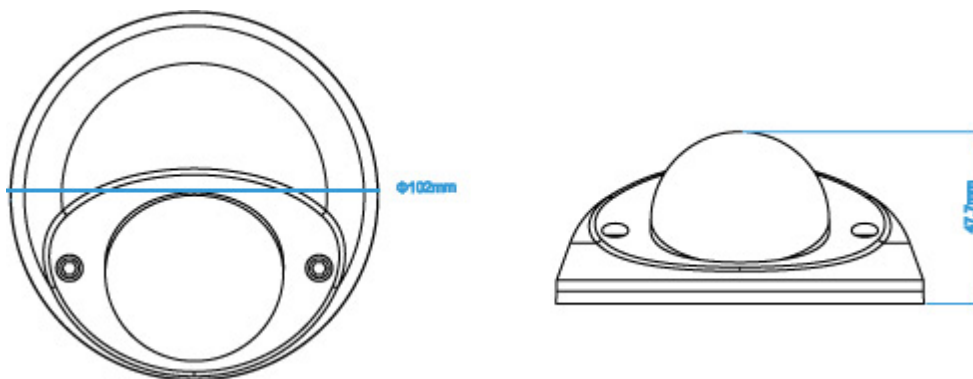


SPECIFICATIONS (CONTINUED)

■ Camera	
AGC	Auto
IRIS Mode	AES
POE	YES (IEEE 802.3af)
External Alarm I/O	YES (1 input / 1 output)
MicroSD Card Slot	YES
Vandal Resistance	IK08
Power Source (±10%)	12V / 1A
Operating Temperature	0°C~40°C
Current Consumption (±10%)	500mA
■ Others	
Mobile Surveillance	iOS & Android mobile devices
Motion Detection	YES
Event Notification	FTP / Email / SMS
3-Axis	YES
RTC (real-time clock)	YES
Digital Pan / Tilt / Zoom	YES
Minimum Web Browsing Requirements	<ul style="list-style-type: none"> • Intel core i3 or higher, or equivalent AMD • 2GB RAM • AGP graphics card, Direct Draw, 32MB RAM • Windows 7, Windows Vista & Windows XP, DirectX 9.0 or later • Internet Explorer 7.x or later

*The specifications are subject to change without notice.

DIMENSIONS



** Dimensional tolerance: ± 5mm