



# AVM521A

## 2 MP IR Dome

### IP Camera



#### FEATURES

- 3-axis mechanism for flexible ceiling and wall-mount installation
- MicroSD card support for video storage
- POE (Power-over-Ethernet) support to eliminate the use of power cables and reduce installation costs
- External alarm I/O device connection
- ONVIF standard supported to simplify system integration
- WDR to increase image recognizability in overexposure and dark areas
- Remote Surveillance
  - Fully compatible with iPhone & iPad, and Internet Explorer on Windows operating system
- Solid Light series featuring better overexposure prevention (Advanced Smart Light Control), automatic adjustment of image brightness, and longer lifetime of LEDs
- Smart Light Control to dynamically adjust image performance for clear and accurate images

#### SPECIFICATIONS

■ Network	
Network Compression	H.264 / MJPEG
Multiple Video Streaming (Encode Modes, IPS, Resolution)	4 (H.264, MJPEG)
LAN Port	YES
LAN Speed	10/100 Based-T Ethernet
Supported Protocols	DDNS, PPPoE, DHCP, NTP, SNTP, TCP/IP, ICMP, SMTP, FTP, HTTP, RTP, RTSP, RTCP, IPv4, Bonjour, UPnP, DNS, UDP, IGMP, QoS
ONVIF Compatible	YES
Frame Rate	30/25fps
Number of Online Users	10
Security	(1) Multiple user access levels with password (2) IP address filtering (3) Digest authentication
Remote Access	(1) Internet Explorer on Windows operating system (2) EagleEyes on iOS & Android devices (3) CMS software ( 36CH / 16CH version free download from AVTECH official website) for up to 36 network cameras control simultaneously
■ Camera	
Image Sensor	1/2.8" HD CMOS image sensor
Video Resolution	1080P to CIF

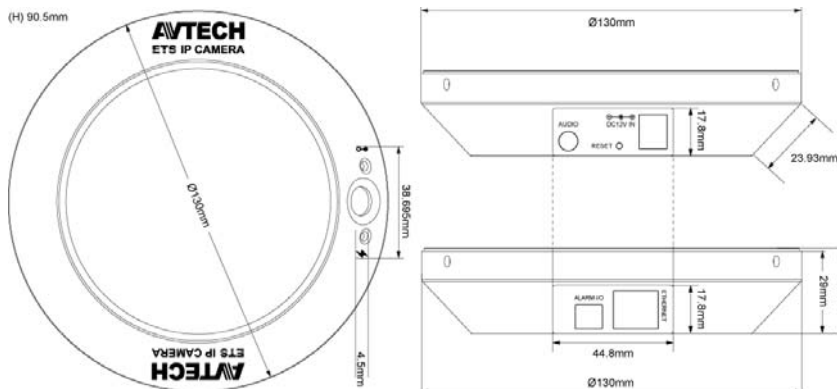


## SPECIFICATIONS (CONTINUED)

Min Illumination	0.1 Lux / F1.5, 0 Lux (LED ON)
Shutter Speed	1/10,000 ~ 1/7.5 (Slow shutter)
S/N Ratio	More than 48dB (AGC off)
Lens	f3.8mm / F1.5
Viewing Angle	83.2° (Diagonal) / 73.2° (Horizontal) / 42.8° (Vertical)
White Balance	ATW
IR LED	1 Unit
IR Effective Distance	up to 15 meters
PIR Sensor	Detection Range 76° wide angle with up to 5m long distance at 2.5m height (under 30°C)
IR Shift	YES
WDR	YES
Smart Light Control	YES
<b>■ General</b>	
AGC	Auto
IRIS Mode	AES
POE	YES (IEEE 802.3af)
External Alarm I/O	YES (1 in / 1 out)
MicroSD Card Slot	YES
Power Source (±10%)	12V / 1A
Operating Temperature	0°C ~ 40°C
Current Consumption (±10%)	400mA
<b>■ Others</b>	
Mobile Surveillance	iOS & Android mobile devices
Motion Detection	YES
Event Notification	FTP / Email / SMS
3-Axis	YES
RTC (real-time clock)	YES
Digital Pan / Tilt / Zoom	YES
Minimum Web Browsing Requirements	<ul style="list-style-type: none"> <li>• Intel core i3 or higher, or equivalent AMD</li> <li>• 2G RAM</li> <li>• AGP graphics card, Direct Draw, 32MB RAM</li> <li>• Windows 7, Vista &amp; XP, DirectX 9.0 or later</li> <li>• Internet Explorer 7.x or later</li> </ul>

\*The specifications are subject to change without notice.

## DIMENSIONS



\*\* Dimensional tolerance:  $\pm 5\text{mm}$