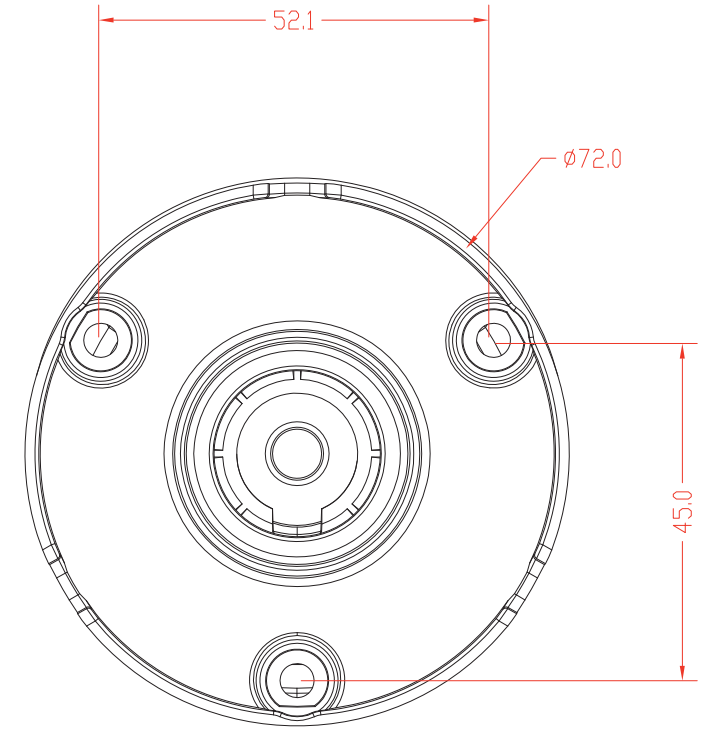
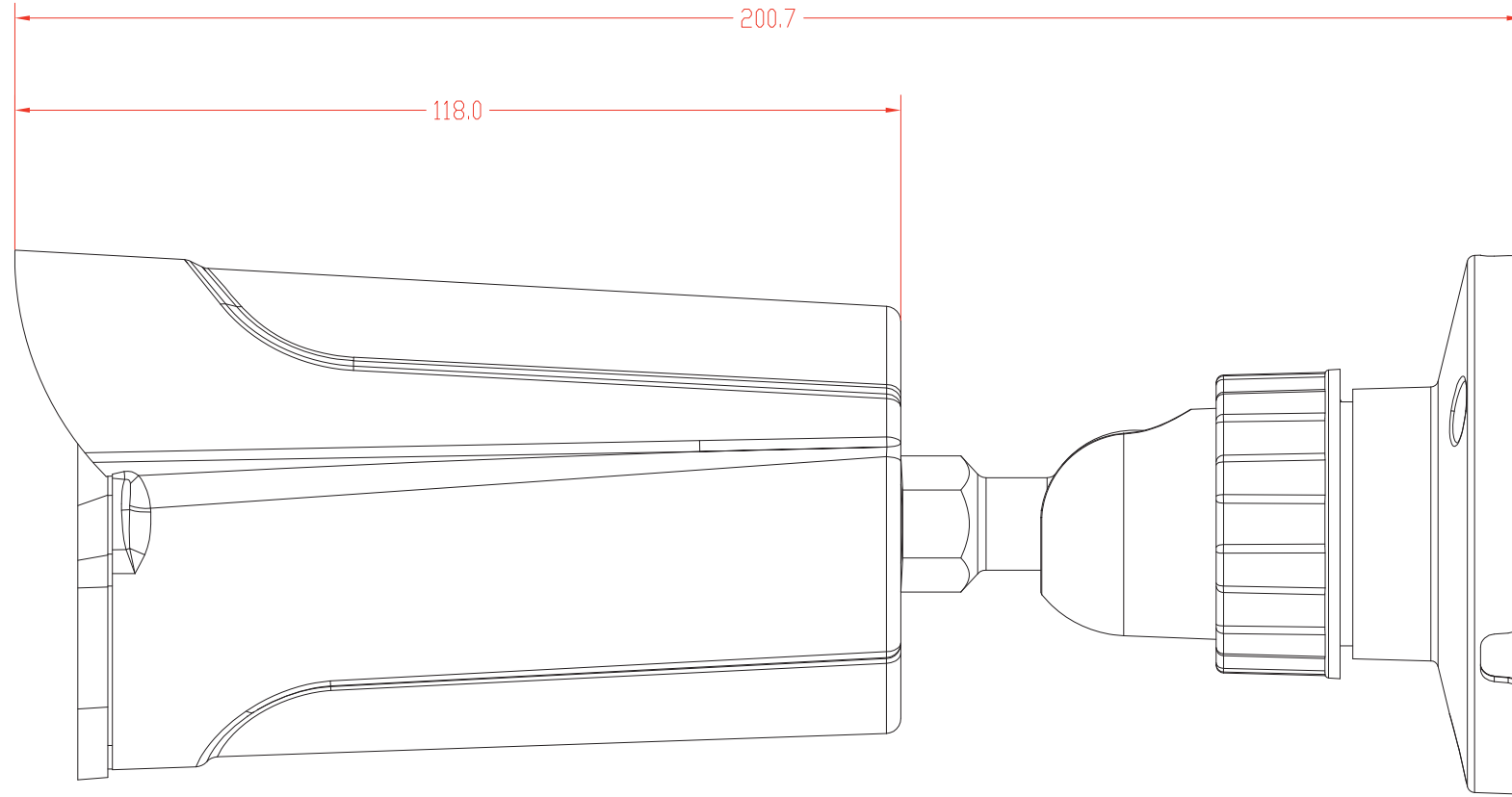


$\phi 72.0$



$\phi 72.0$

45.0

52.1